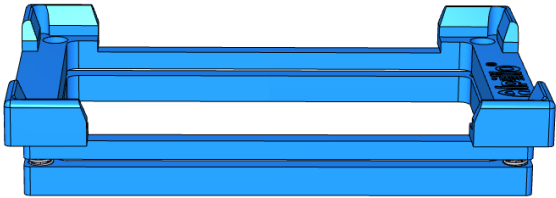




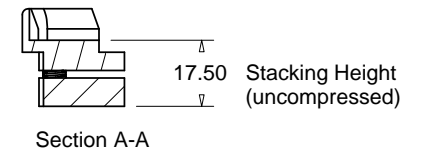
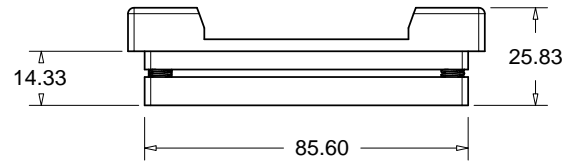
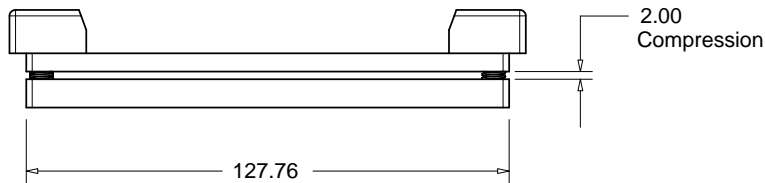
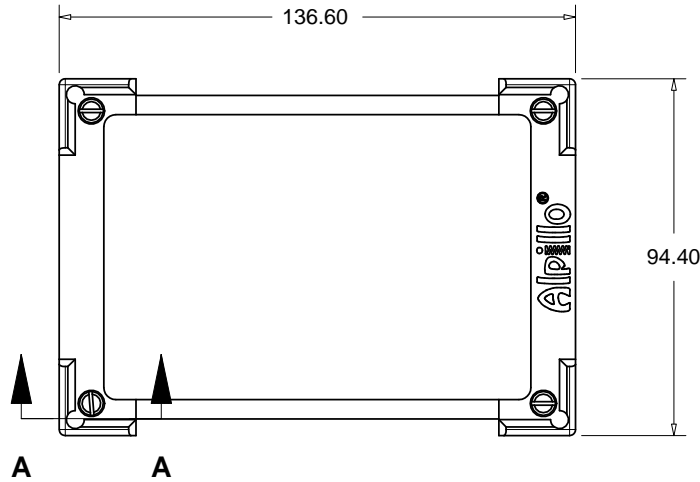
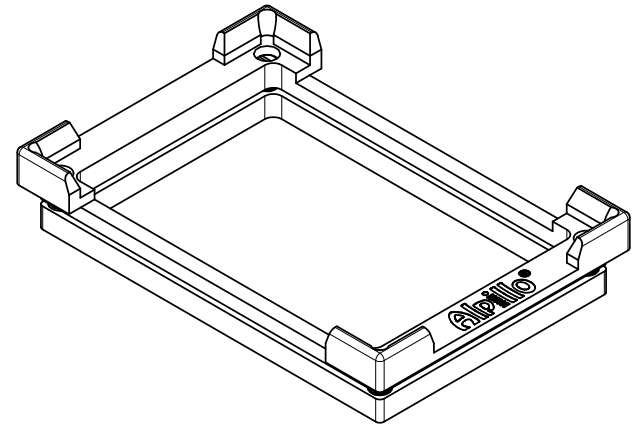
The Biomek® import file Alpillo.imp contains two labware definitions for the two different versions of the Alpillo shown below. Uncompressed stacking heights are predefined for the standard microplates that are included with the Biomek software; more plates can be added to the list as needed.

<p>Alpillo, Part No. A000007</p> <p>Biomek® Labware Name: Alpillo</p> <p>The “regular” Alpillo with a base height (compressed) of 1.23 cm fits many instruments, like the Biomek® FX/NX, Tecan, Hamilton, and Caliper Sciclone, as well as the aluminum plate holders on the Perkin Elmer Janus.</p> <p>Overall Height: 2.60 cm Stacking Height: 1.73 cm Max. Nest Depth: 1.23 cm</p>	
<p>Alpillo with Alpillo Extension</p> <p>The Extension is sold separately. Part No. is K000018.</p> <p>Biomek® Labware Name: AlpilloEX</p> <p>The extension makes the Alpillo suitable for instruments with deeper plate nests, like the Biomek® 2000/3000, or the Perkin Elmer Janus with MultiProbe II tiles.</p> <p>Overall Height: 3.33 cm Stacking Height: 2.48 cm Max. Nest Depth: 1.98 cm</p>	
<p style="text-align: right;">US Patent 6,755,384</p> <p>Biomek is a registered trademark of Beckman Coulter, Inc. Alpaqua and Alpillo are registered trademarks of Alpaqua Engineering, LLC. All other trademarks are the property of their respective owners.</p>	
<p>TB-0003 ALPLO0412 ©2010-2012 Alpaqua Engineering, LLC All Rights Reserved.</p>	

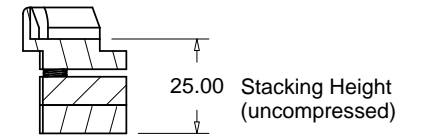
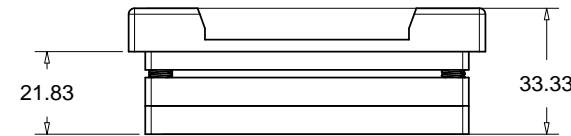
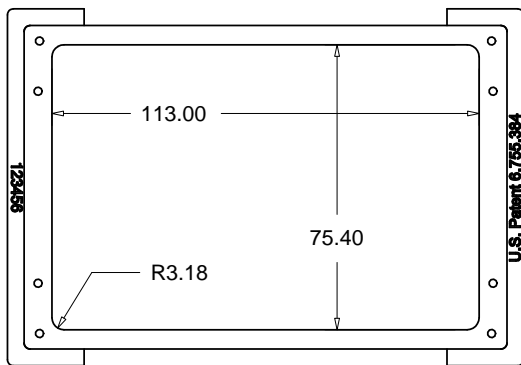
ALPAQUA[®]

Liquid Handling Products

A000007 Alpillo



Alpillo



Alpillo with Extension

PROPRIETARY AND CONFIDENTIAL THE INFORMATION CONTAINED IN THIS DRAWING IS THE SOLE PROPERTY OF ALPAQUA ENGINEERING, LLC AND/OR ITS SUCCESSORS ("OWNERS"). ANY REPRODUCTION IN PART OR AS A WHOLE WITHOUT THE WRITTEN PERMISSION OF THE OWNERS IS PROHIBITED.	REV.	DATE	NAME	ALPAQUA ENGINEERING, LLC TITLE: Alpillo	
		012812	OS		
	COMMENTS:			SIZE: A	DWG. NO.: A000007-WS
				SCALE: 1:2	SHEET: 1 of 1