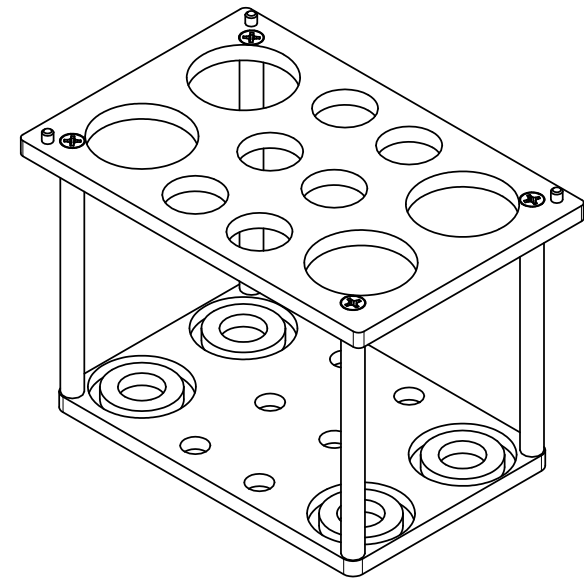
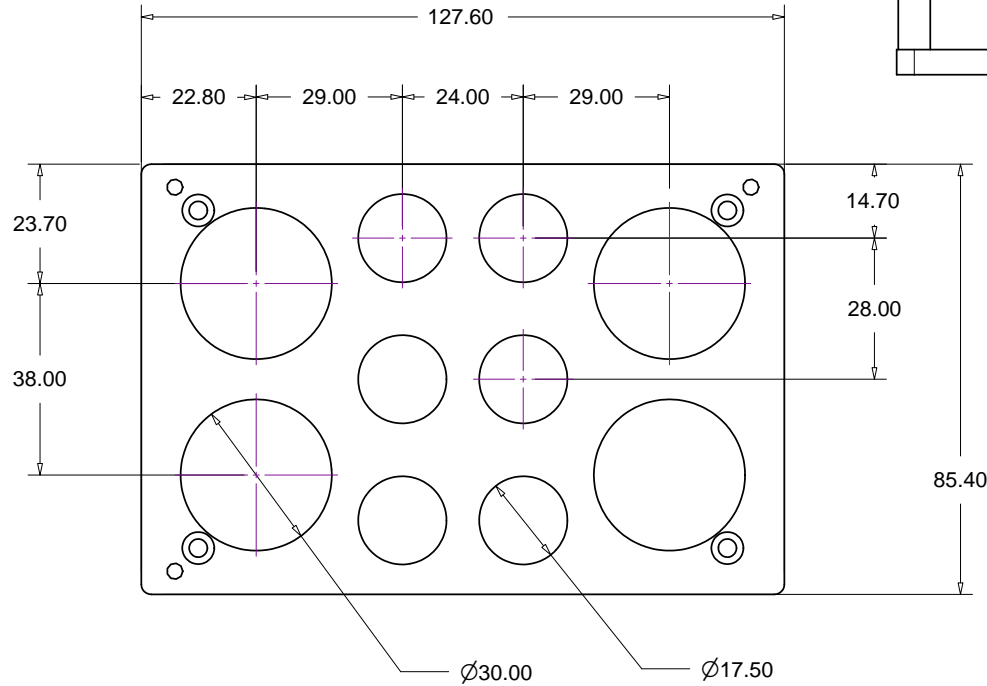
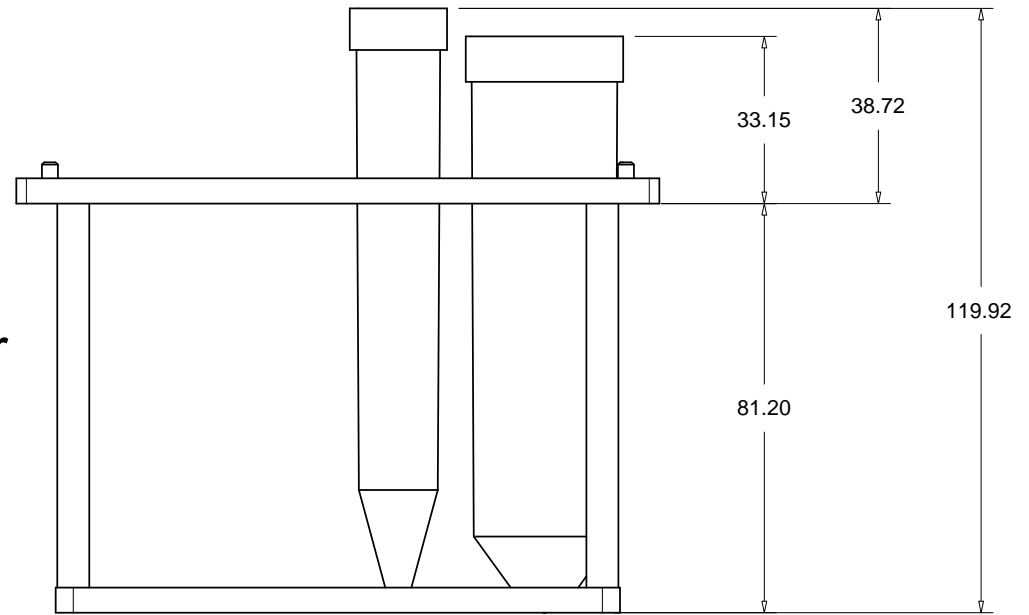


## A000009 Centrifuge Tube Holder



PROPRIETARY AND CONFIDENTIAL				ALPAQUA ENGINEERING, LLC	
REV.	DATE	NAME		TITLE:	<b>Centrifuge Tube Holder</b>
	012812	OS		SUBASM:	
THE INFORMATION CONTAINED IN THIS DRAWING IS THE SOLE PROPERTY OF ALPAQUA ENGINEERING, LLC AND/OR ITS SUCCESSORS ("OWNERS"). ANY REPRODUCTION IN PART OR AS A WHOLE WITHOUT THE WRITTEN PERMISSION OF THE OWNERS IS PROHIBITED.				SIZE: <b>A</b>	DWG. NO.: <b>A000009-WS</b>
				SCALE: <b>2:3</b>	SHEET: <b>1 of 1</b>
COMMENTS:					