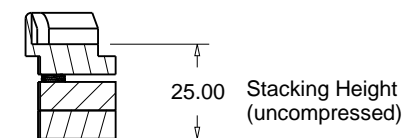
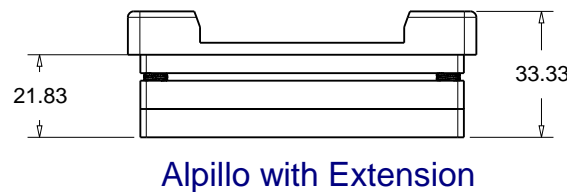
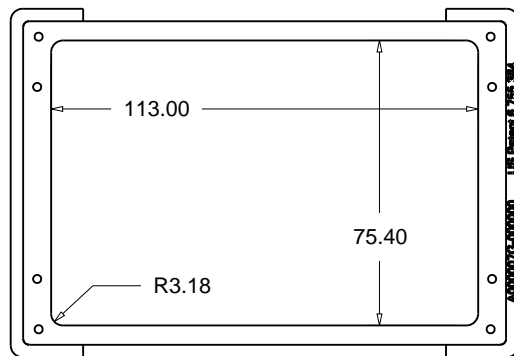
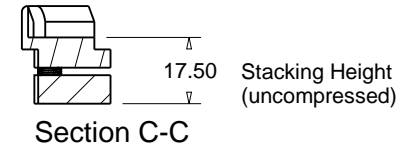
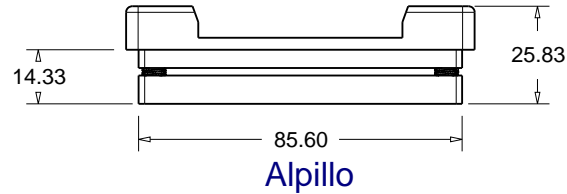
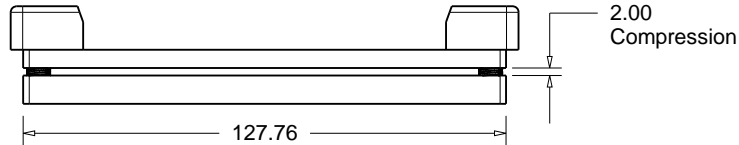
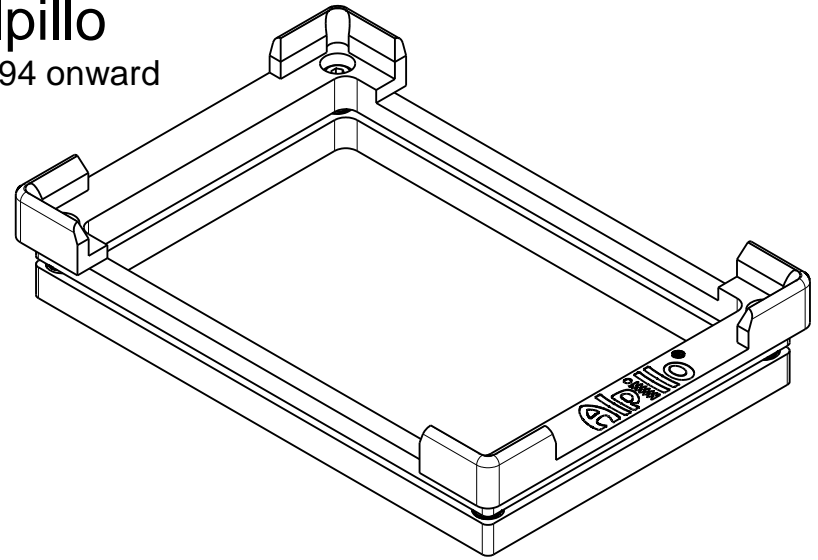
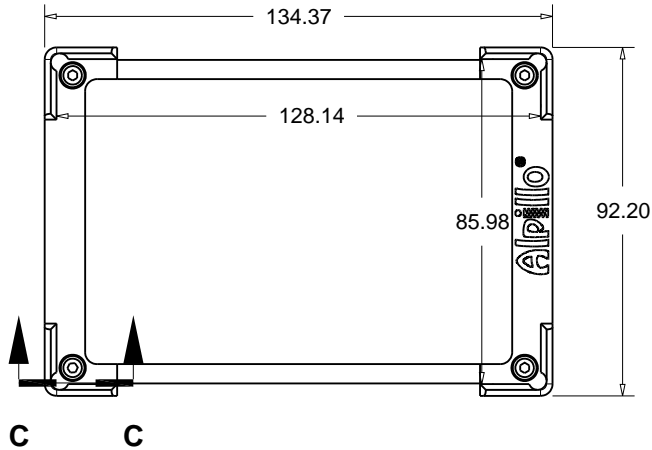


# ALPAQUA®

Liquid Handling Products

## A000007 Alpillo

Rev. G - Serial # 000094 onward



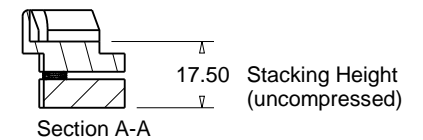
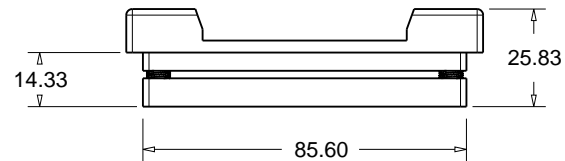
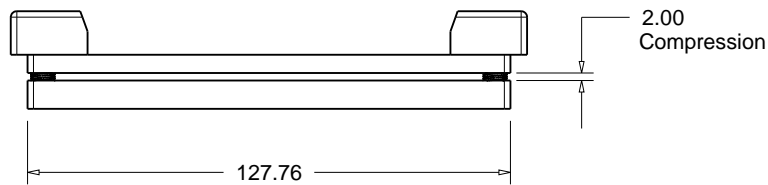
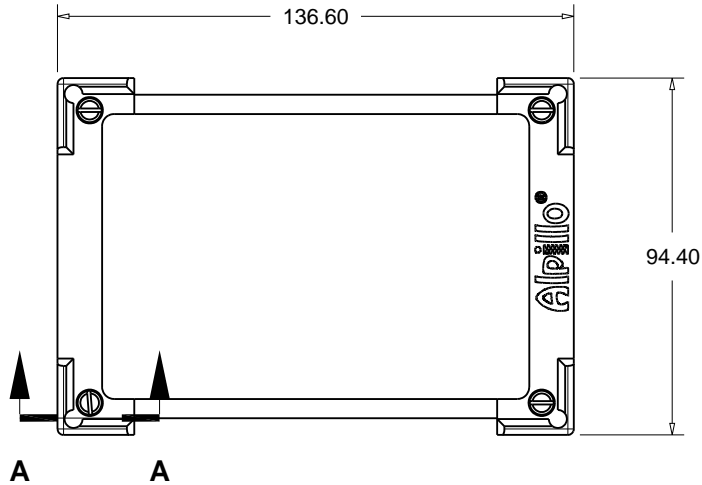
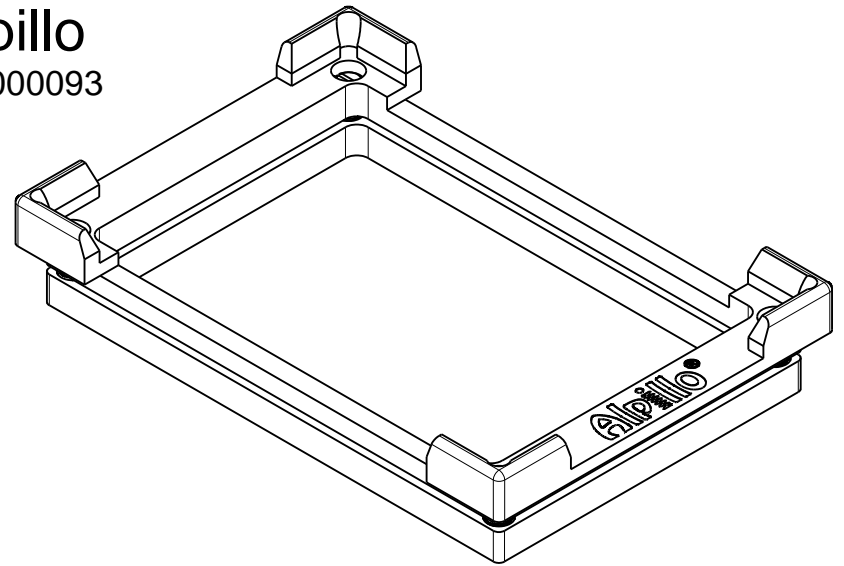
PROPRIETARY AND CONFIDENTIAL				REV.	DATE	NAME	ALPAQUA ENGINEERING, LLC	
THE INFORMATION CONTAINED IN THIS DRAWING IS THE SOLE PROPERTY OF ALPAQUA ENGINEERING, LLC AND/OR ITS SUCCESSORS ("OWNERS"). ANY REPRODUCTION IN PART OR AS A WHOLE WITHOUT THE WRITTEN PERMISSION OF THE OWNERS IS PROHIBITED.					012812	OS	TITLE: <b>Alpillo® Plate Cushion</b>	
				G	021914	OS	SUBASM:	
COMMENTS:				SIZE: <b>A</b>		DWG. NO.: <b>A000007-WS</b>		
				SCALE: <b>1:2</b>		SHEET: <b>1 of 2</b>		

# ALPAQUA<sup>®</sup>

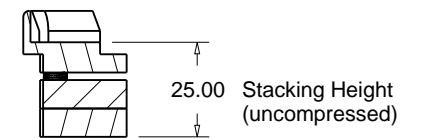
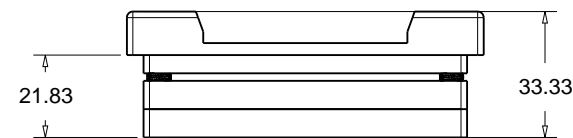
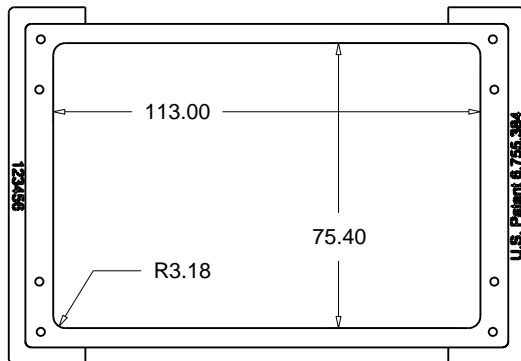
Liquid Handling Products

## A000007 Alpillo

Up to Serial Number 000093



Alpillo



Alpillo with Extension

PROPRIETARY AND CONFIDENTIAL				ALPAQUA ENGINEERING, LLC	
THE INFORMATION CONTAINED IN THIS DRAWING IS THE SOLE PROPERTY OF ALPAQUA ENGINEERING, LLC AND/OR ITS SUCCESSORS ("OWNERS"). ANY REPRODUCTION IN PART OR AS A WHOLE WITHOUT THE WRITTEN PERMISSION OF THE OWNERS IS PROHIBITED.	REV.	DATE	NAME	TITLE: <b>Alpillo</b>	
		012812	OS	SUBASM:	
	COMMENTS:			SIZE: <b>A</b>	DWG. NO.: <b>A000007-WS</b>
			SCALE: <b>1:2</b>	SHEET: <b>2 of 2</b>	