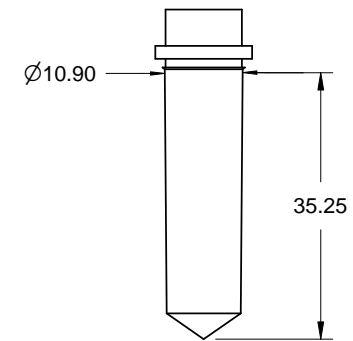


HOLE DEPTH:  
 32.25 MM (UNCOMPRESSED)  
 35.25 MM (COMPRESSED)



Will my tube fit?

Measure the diameter at 35.25 mm from the bottom. If it is less than 10.90 mm, the tube will fit.

PROPRIETARY AND CONFIDENTIAL				ALPAQUA ENGINEERING, LLC	
REV.	DATE	NAME	TITLE: <b>POGO®</b>		
	012712	OS	SUBASM:		
COMMENTS:			SIZE: <b>A</b>	DWG. NO.: <b>A000020-WS</b>	
			SCALE: <b>1:1</b>	SHEET: <b>1 of 1</b>	
THE INFORMATION CONTAINED IN THIS DRAWING IS THE SOLE PROPERTY OF ALPAQUA ENGINEERING, LLC AND/OR ITS SUCCESSORS ("OWNERS"). ANY REPRODUCTION IN PART OR AS A WHOLE WITHOUT THE WRITTEN PERMISSION OF THE OWNERS IS PROHIBITED.					