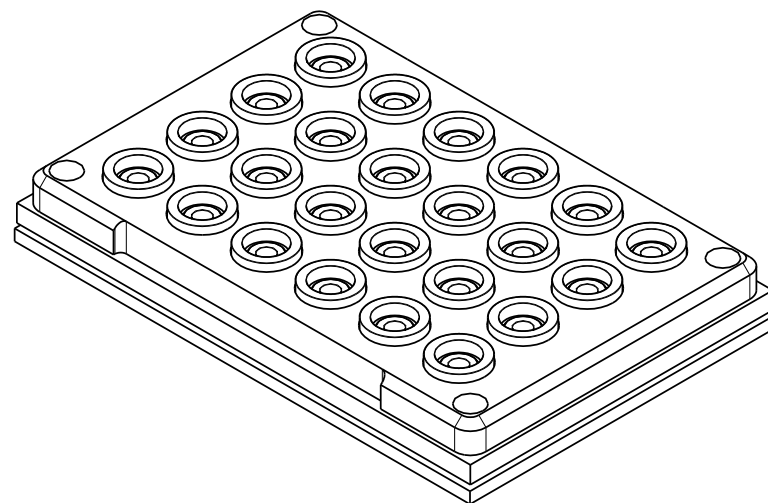
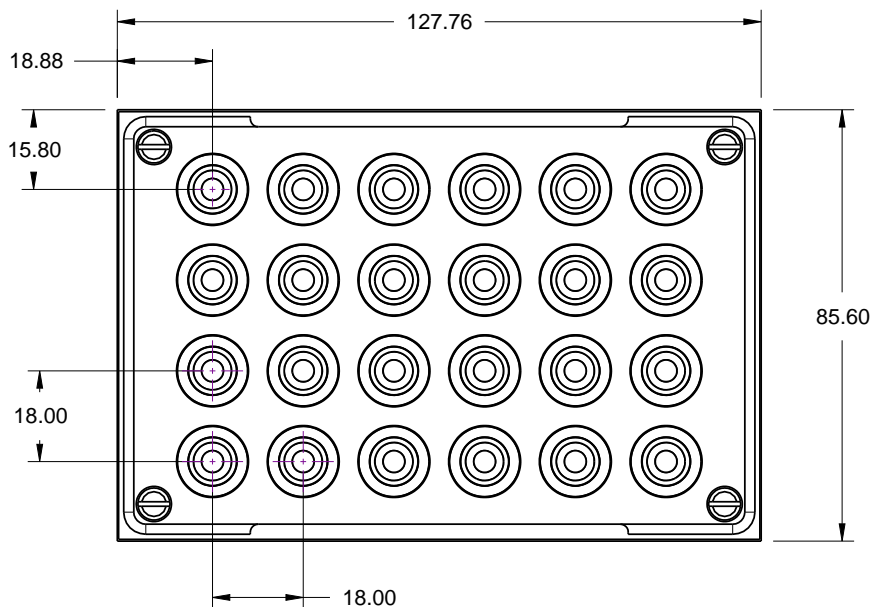


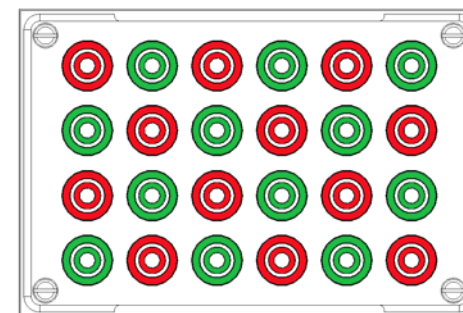
MagPlate 24

A000270

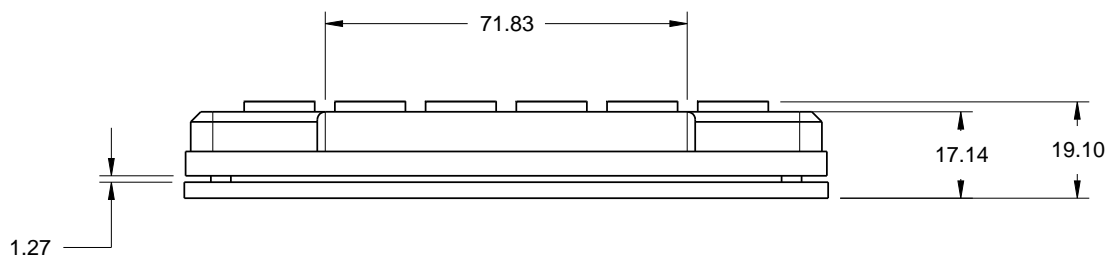


Magnet Pattern:

Checkerboard
Inner and Outer Magnet Polarities Match



Opening for Gripper:



Revisions:

A: Added Magnet Pattern Image

©2012-2013 Alpaqua Engineering, LLC

| PROPRIETARY AND CONFIDENTIAL | | | REV. | DATE | NAME | ALPAQUA ENGINEERING, LLC | |
|---|--|--|-------------------|--------|-----------------------------|---------------------------|--|
| THE INFORMATION CONTAINED IN THIS DRAWING IS THE SOLE PROPERTY OF ALPAQUA ENGINEERING, LLC AND/OR ITS SUCCESSORS ("OWNERS"). ANY REPRODUCTION IN PART OR AS A WHOLE WITHOUT THE WRITTEN PERMISSION OF THE OWNERS IS PROHIBITED. | | | | 092411 | OS | TITLE: MagPlate 24 | |
| | | | A | 051413 | OS | SUBASM: | |
| COMMENTS: | | | SIZE: A | | DWG. NO.: A000270-WS | | |
| | | | SCALE: 2:3 | | SHEET: 1 of 1 | | |