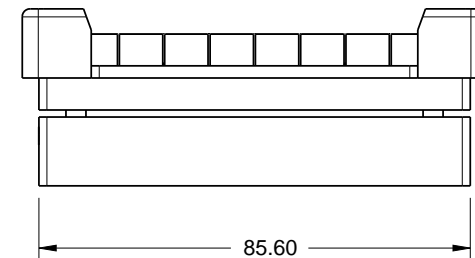
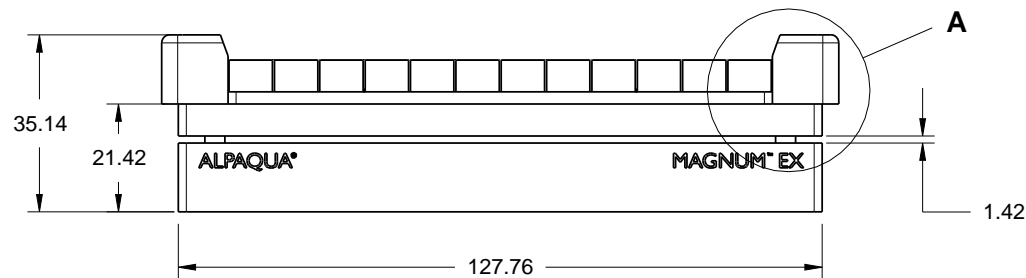
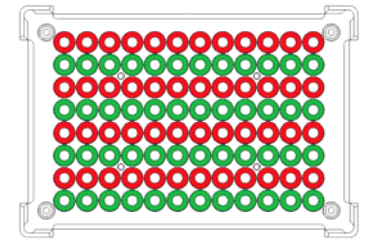
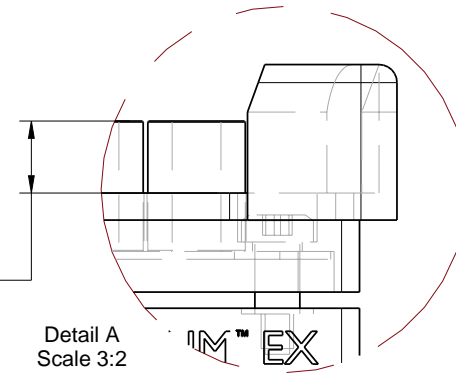
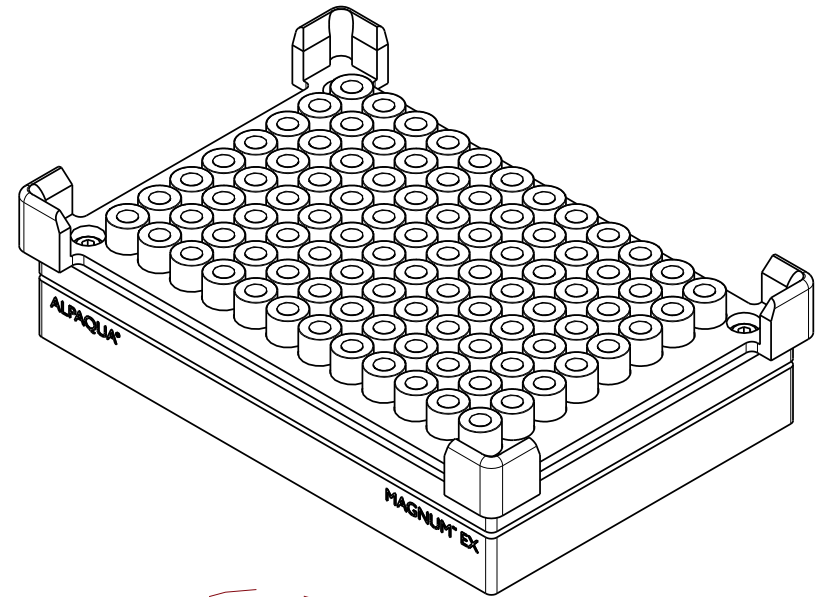
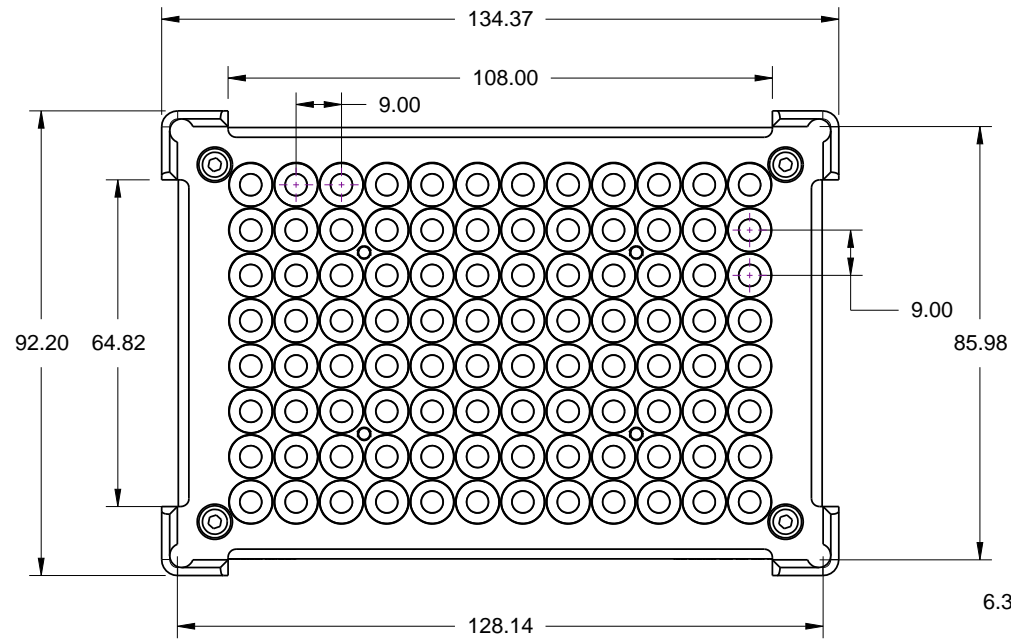


# ALPAQUA®

Liquid Handling Products



Rev. A:  
Added Polarity Pattern

## MAGNUM™ EX

Universal Magnet Plate

A000380

©2013 Alpaqua Engineering, LLC

PROPRIETARY AND CONFIDENTIAL			REV.	DATE	NAME	ALPAQUA ENGINEERING, LLC	
THE INFORMATION CONTAINED IN THIS DRAWING IS THE SOLE PROPERTY OF ALPAQUA ENGINEERING, LLC AND/OR ITS SUCCESSORS ("OWNERS"). ANY REPRODUCTION IN PART OR AS A WHOLE WITHOUT THE WRITTEN PERMISSION OF THE OWNERS IS PROHIBITED.				042913	OS	TITLE: <b>Magnum™ EX</b>	
			A	043013	OS	SUBASM:	
COMMENTS:			SIZE: <b>A</b>		DWG. NO.: <b>A000380-WS</b>		
			SCALE: <b>2:3</b>		SHEET: <b>1 of 1</b>		